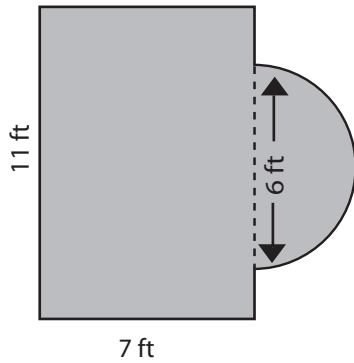


Area - Compound Shapes

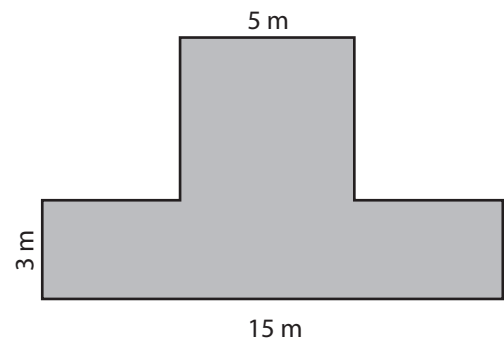
Find the area of each figure. Round the answer to 2 decimal places if necessary.

1)



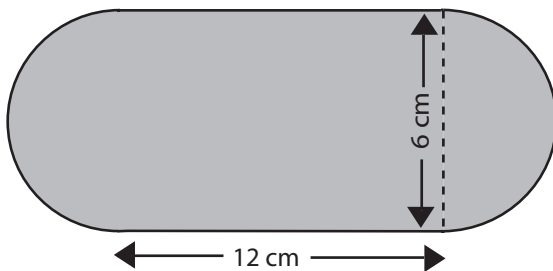
Area = _____

2)



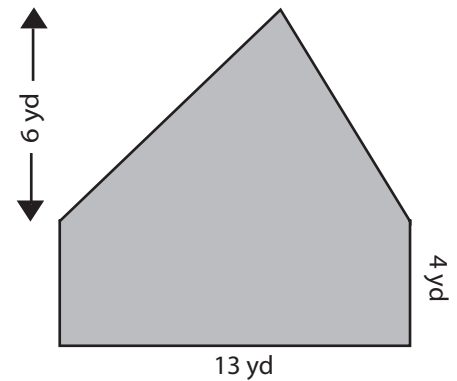
Area = _____

3)



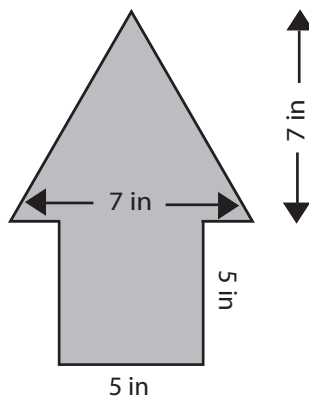
Area = _____

4)



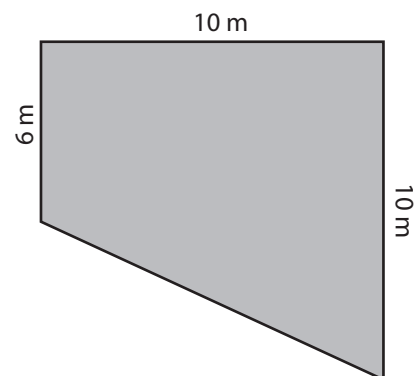
Area = _____

5)



Area = _____

6)

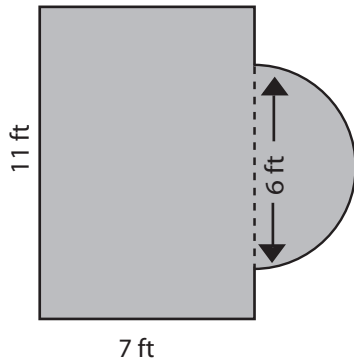


Area = _____

Answer Key

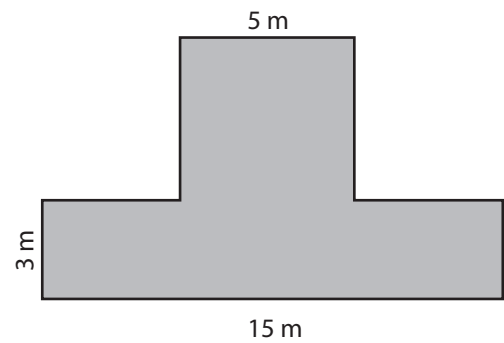
Find the area of each figure. Round the answer to 2 decimal places if necessary.

1)



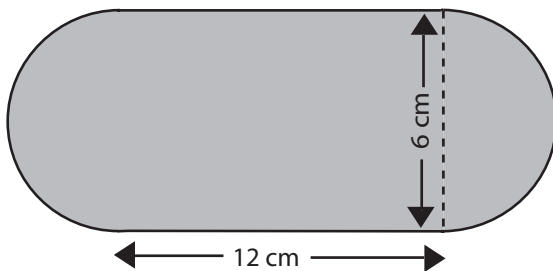
$$\text{Area} = \underline{\mathbf{91.13 \text{ ft}^2}}$$

2)



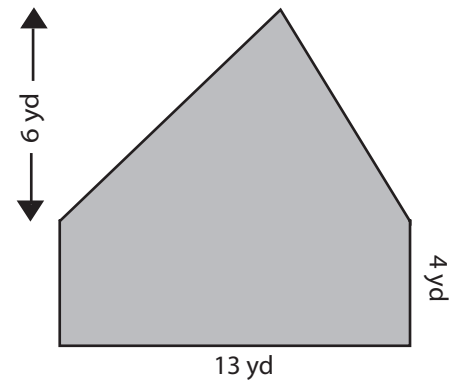
$$\text{Area} = \underline{\mathbf{70 \text{ m}^2}}$$

3)



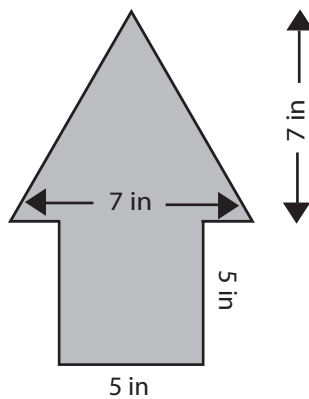
$$\text{Area} = \underline{\mathbf{100.26 \text{ cm}^2}}$$

4)



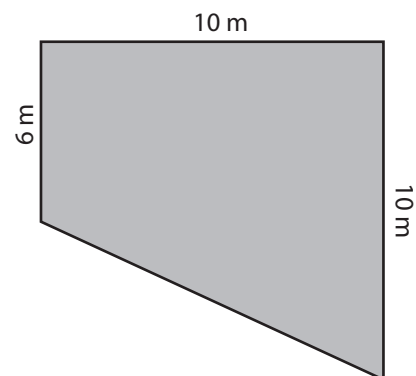
$$\text{Area} = \underline{\mathbf{91 \text{ yd}^2}}$$

5)



$$\text{Area} = \underline{\mathbf{49.5 \text{ in}^2}}$$

6)



$$\text{Area} = \underline{\mathbf{80 \text{ m}^2}}$$