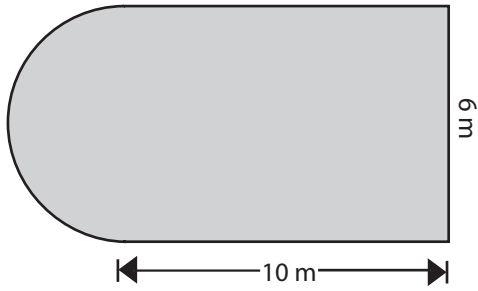


Area - Compound Shapes

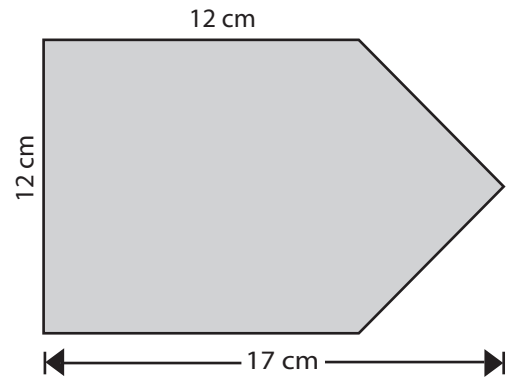
Find the area of each figure. Round the answer to 2 decimal places if necessary.

1)



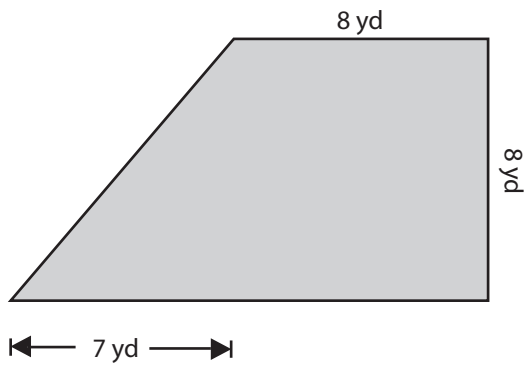
Area = _____

2)



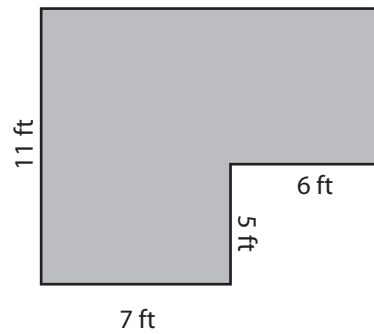
Area = _____

3)



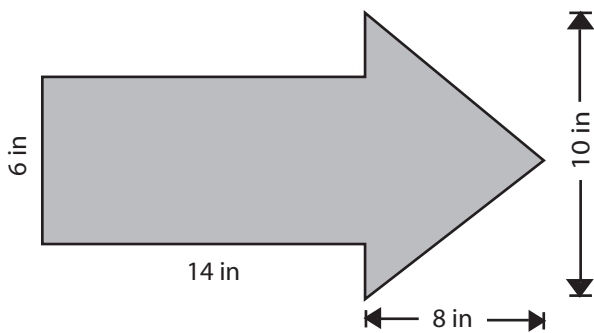
Area = _____

4)



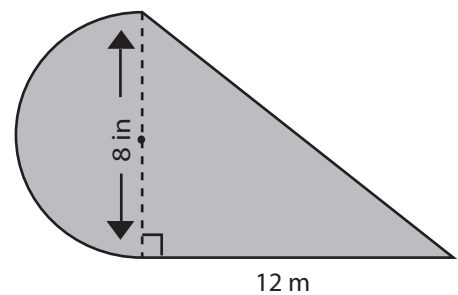
Area = _____

5)



Area = _____

6)

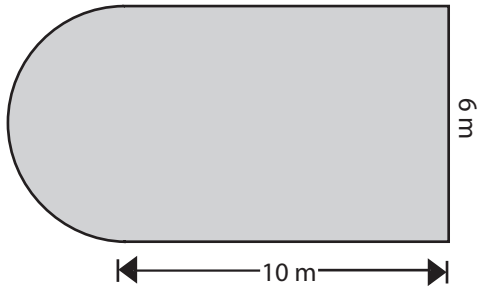


Area = _____

Answer Key

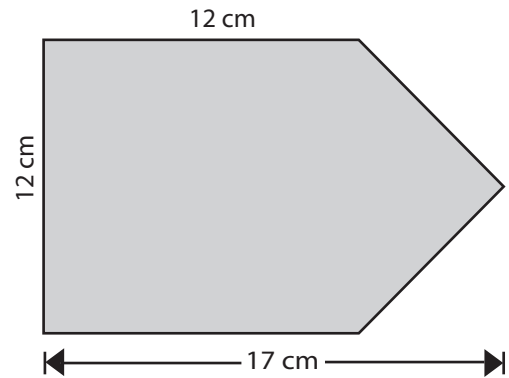
Find the area of each figure. Round the answer to 2 decimal places if necessary.

1)



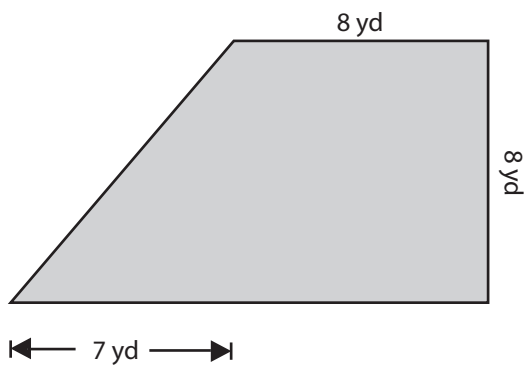
$$\text{Area} = \underline{74.13 \text{ m}^2}$$

2)



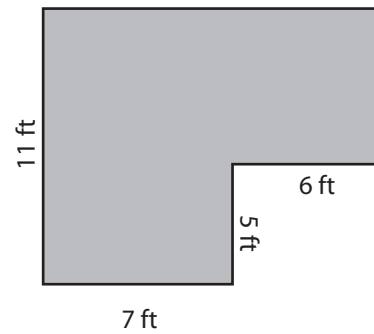
$$\text{Area} = \underline{174 \text{ cm}^2}$$

3)



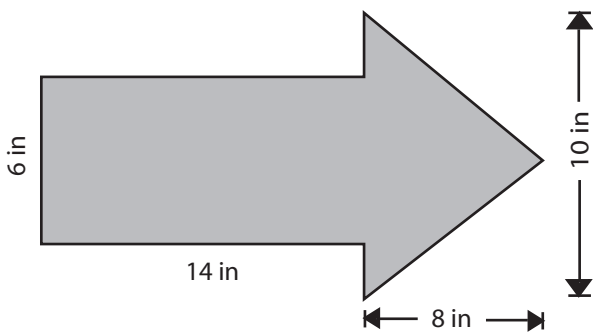
$$\text{Area} = \underline{92 \text{ yd}^2}$$

4)



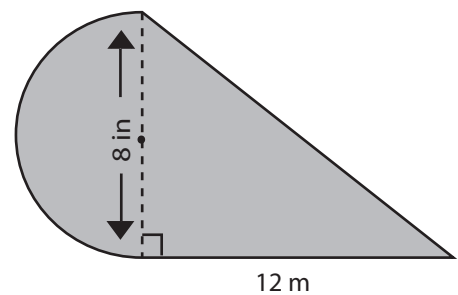
$$\text{Area} = \underline{113 \text{ ft}^2}$$

5)



$$\text{Area} = \underline{124 \text{ in}^2}$$

6)



$$\text{Area} = \underline{73.12 \text{ m}^2}$$