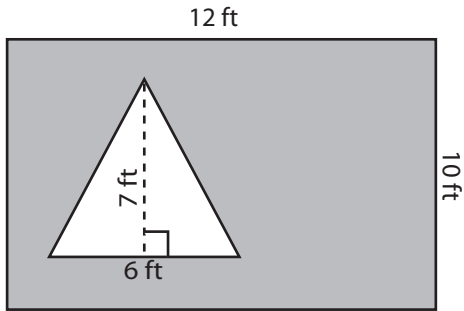


Area - Compound Shapes

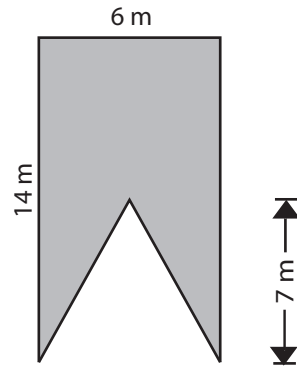
Find the area of shaded region. Round the answer to 2 decimal places if necessary.

1)



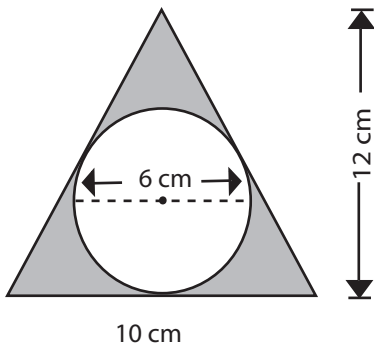
Area = _____

2)



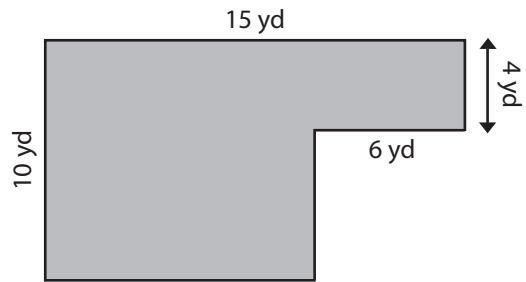
Area = _____

3)



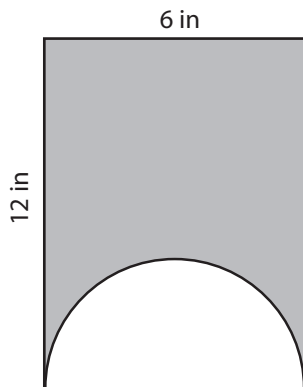
Area = _____

4)



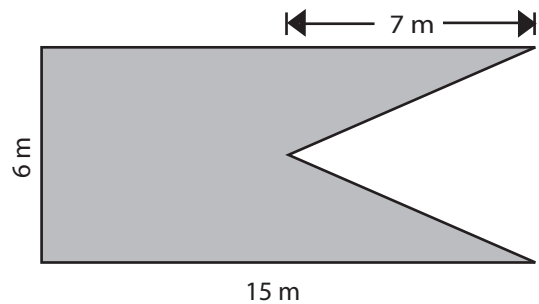
Area = _____

5)



Area = _____

6)

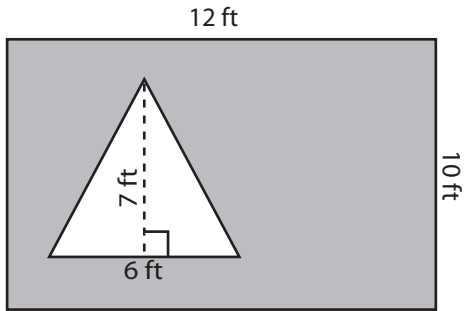


Area = _____

Answer Key

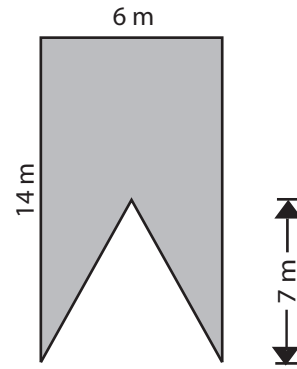
Find the area of shaded region. Round the answer to 2 decimal places if necessary.

1)



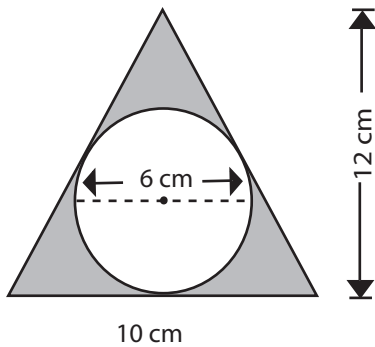
Area = **99 ft²**

2)



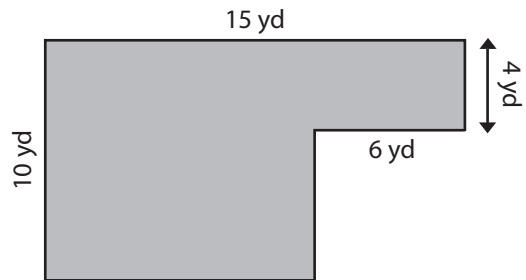
Area = **63 m²**

3)



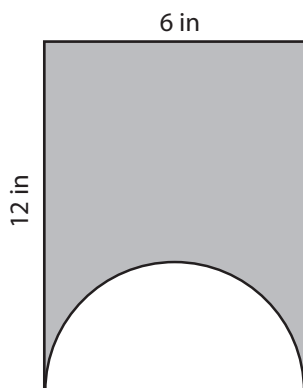
Area = **31.74 cm²**

4)



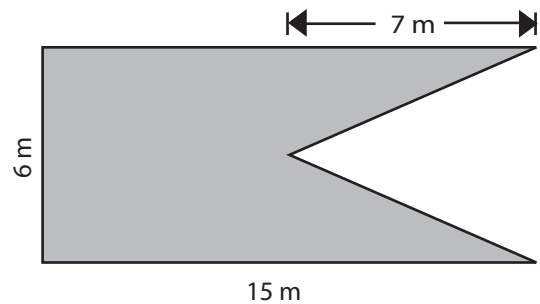
Area = **114 yd²**

5)



Area = **57.87 in²**

6)



Area = **69 m²**