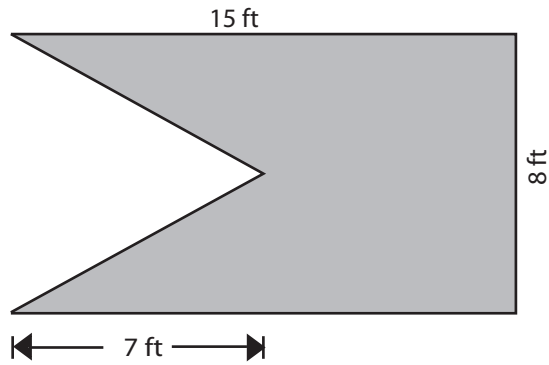


### Area - Compound Shapes

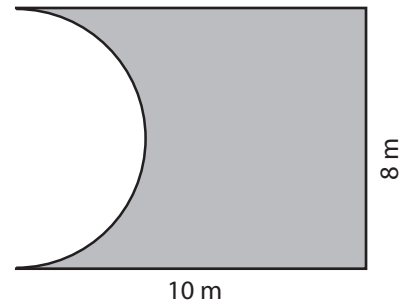
Find the area of shaded region. Round the answer to 2 decimal places if necessary.

1)



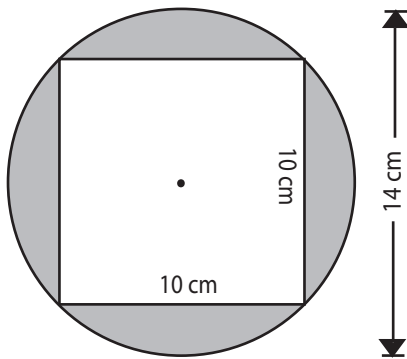
Area = \_\_\_\_\_

2)



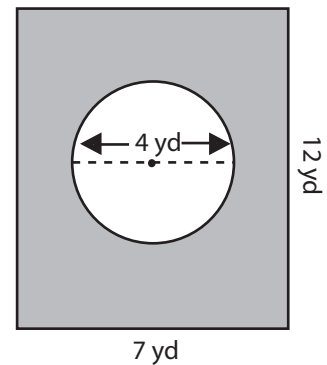
Area = \_\_\_\_\_

3)



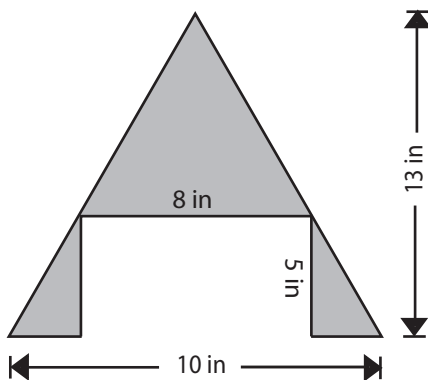
Area = \_\_\_\_\_

4)



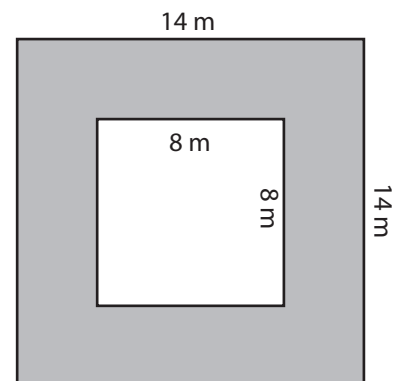
Area = \_\_\_\_\_

5)



Area = \_\_\_\_\_

6)

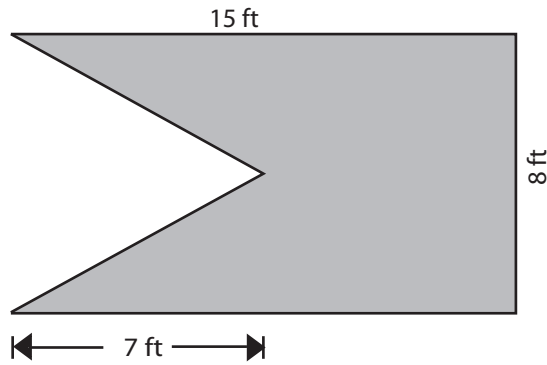


Area = \_\_\_\_\_

**Answer Key**

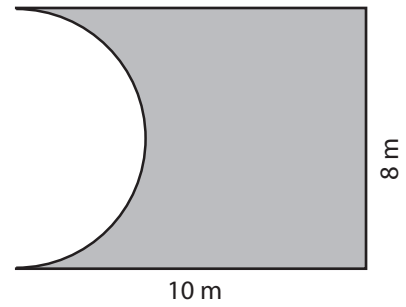
Find the area of shaded region. Round the answer to 2 decimal places if necessary.

1)



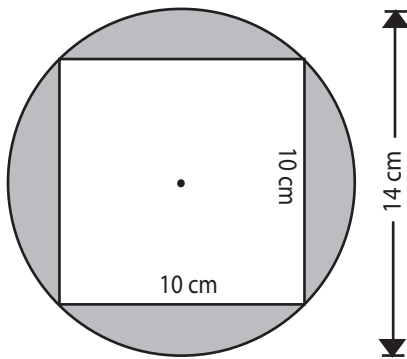
$$\text{Area} = \underline{92 \text{ ft}^2}$$

2)



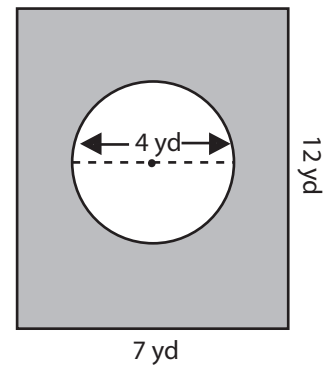
$$\text{Area} = \underline{54.88 \text{ m}^2}$$

3)



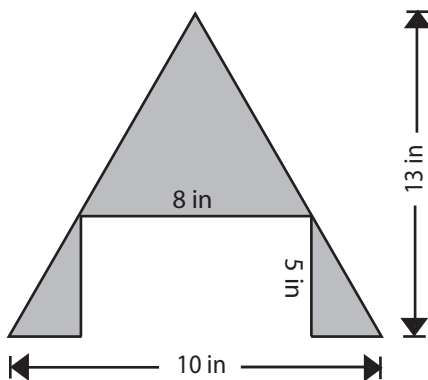
$$\text{Area} = \underline{54 \text{ cm}^2}$$

4)



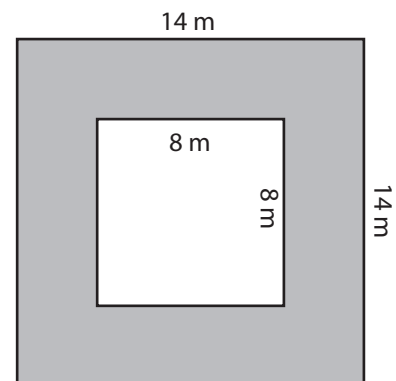
$$\text{Area} = \underline{71.44 \text{ yd}^2}$$

5)



$$\text{Area} = \underline{25 \text{ in}^2}$$

6)



$$\text{Area} = \underline{132 \text{ m}^2}$$