

Sample Assessment Booklet: New Layout

Booklet 1

ANSWERS

Grade 9 Assessment of Mathematics • Applied

2015

DIRECTIONS

Answering Multiple-Choice Questions

Answer all multiple-choice questions. If you fill in more than one answer to a question, or leave a question blank, the question will be scored zero. Incorrect answers will also be scored zero.

Answering Open-Response Questions

Do all of your work for each question in the space provided for the question **only**. Work on additional or other pages will **not** be scored.

Write your solutions, including all calculations, clearly and completely, as they will be scored by someone who does not know your work. Your teacher may also mark some or all of your work.

**Record ALL
your answers to
multiple-choice and
open-response questions
in this booklet.**

Education Quality and
Accountability Office



**You are now ready to start
the assessment.**



Please read the questions in *Question Booklet 1*; then fill in your answers below.

To indicate your answer, use a pencil to fill in the appropriate circle below completely.

Like this: ●

Not like this: ⊗ ✓ ◐ ●

Cleanly erase your answer if you wish to change it and fill in the circle for your new answer.

Fill in only **one** circle for each question.

1 (A) (B) (C) (D)

2 (F) (G) (H) (J)

3 (A) (B) (C) (D)

4 (F) (G) (H) (J)

5 (A) (B) (C) (D)

6 (F) (G) (H) (J)

7 (A) (B) (C) (D)

8 Orange-Gi

Gina is buying 24 oranges. Two stores offer the following deals:

Store A: 12 oranges for \$6.48

Store B: 5 oranges for \$2.65

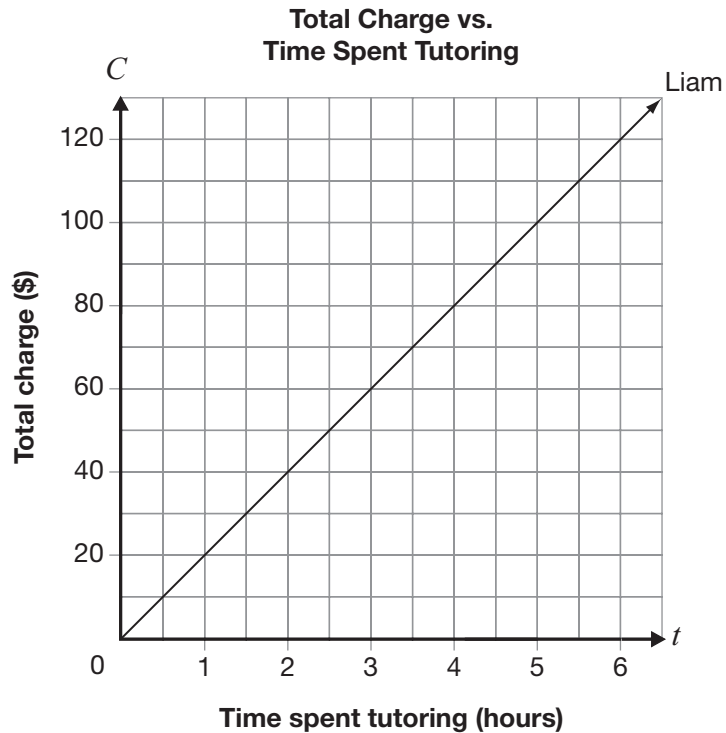
Gina can buy oranges individually.

How much will Gina save if she buys 24 oranges at Store B?

Show your work.

9 Two Tutors

Tianna and Liam both charge for tutoring. Information about Liam's total charge for tutoring is shown on the grid below.



Tianna's total charge is made up of a base fee of \$40, and \$10 per hour of tutoring.

They both start a tutoring session at the same time one day, and they both spend the same amount of time tutoring.

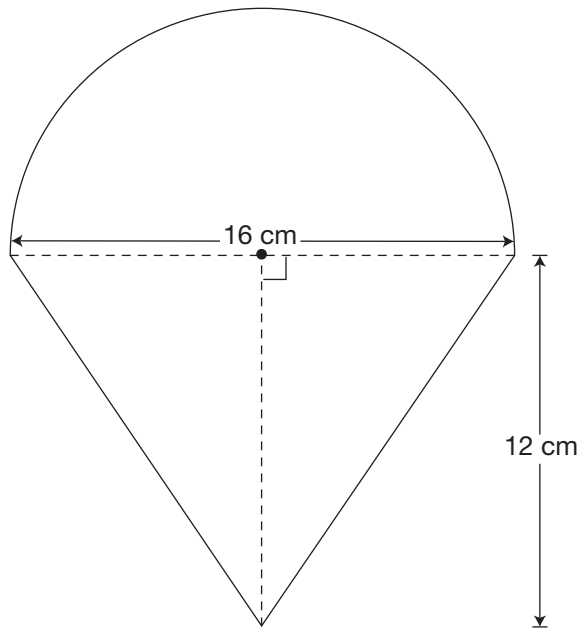
If Tianna's and Liam's charges were the same, how many hours did they each spend tutoring?

Justify your answer.

Tianna and Liam each spent _____ hours tutoring.

10 Flat Shape

The shape below is made of a semicircle and a triangle.



Determine the area of this shape.

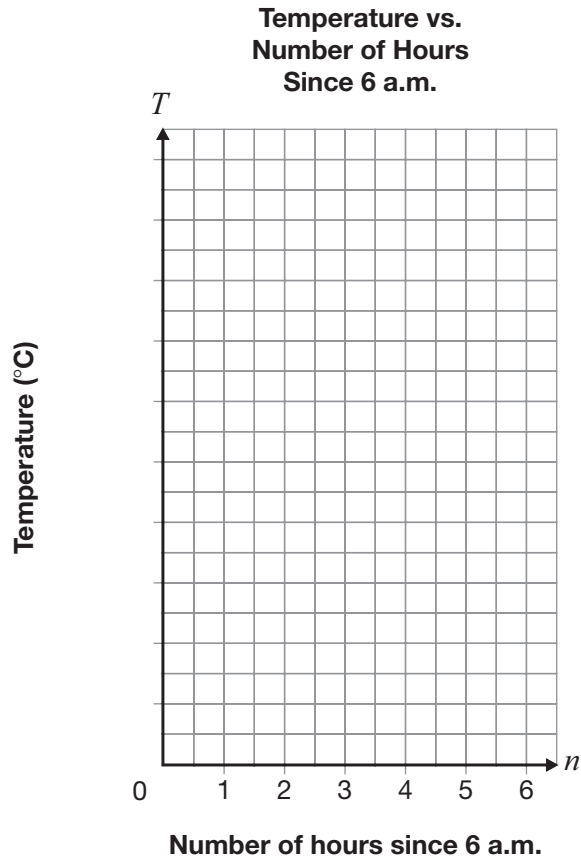
Show your work.

11 Warming Up

The temperature outside at 6 a.m. is $4\text{ }^{\circ}\text{C}$. The temperature rises by $1.5\text{ }^{\circ}\text{C}$ every hour. Complete the table of values for this relationship.

Number of hours since 6 a.m.	Temperature ($^{\circ}\text{C}$)
0	4
1	
4	
6	

Graph the data on the grid below. Choose and label an appropriate scale for the T -axis.





Please read the questions in *Question Booklet 1*; then fill in your answers below.

To indicate your answer, use a pencil to fill in the appropriate circle below completely.

Like this: ●

Not like this: ⊗ ✓ ◐ ●

Cleanly erase your answer if you wish to change it and fill in the circle for your new answer.

Fill in only **one** circle for each question.

12 (F) (G) (H) (J)

13 (A) (B) (C) (D)

14 (F) (G) (H) (J)

15 (A) (B) (C) (D)

16 (F) (G) (H) (J)

17 (A) (B) (C) (D)

18 (F) (G) (H) (J)



STOP

You have finished *Booklet 1*.

**Education Quality and
Accountability Office**



2 Carlton Street, Suite 1200, Toronto ON M5B 2M9
Telephone: 1-888-327-7377 Web site: www.eqao.com

© 2015 Queen's Printer for Ontario