

**(2.1) Area of Composite Figures**

What happens if you need to find the area of figures that contain more than one shape?

DETERMINE A THREE STEP PROCESS THAT ALLOWS YOU TO DETERMINE THE AREA OF COMPOSITE FIGURES:

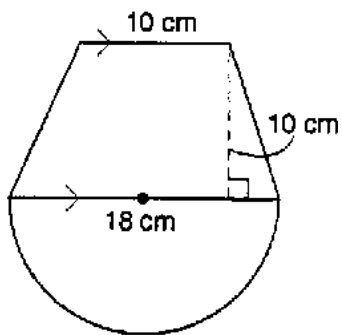
*Step 1:*

*Step 2:*

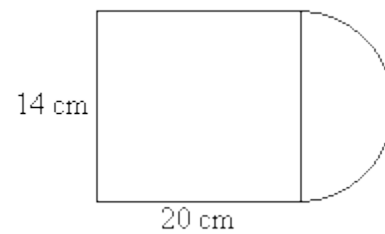
*Step 3:*

Examples: Determine the area of each figure to 1 decimal place:

a)



b)



2. Determine the shaded area to 1 decimal place.

