

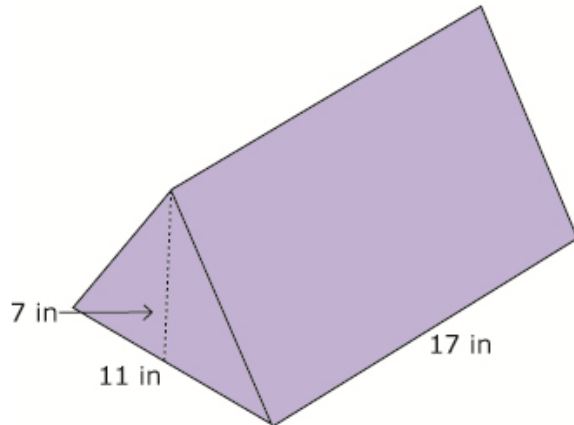
Name _____

Date _____

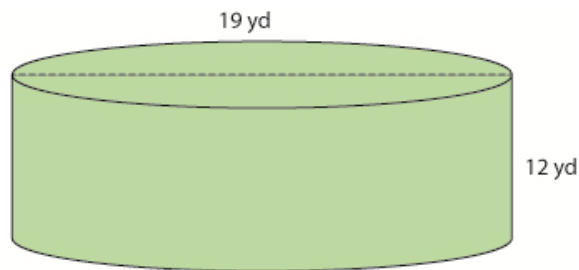
Volume of Cylinders and Pyramids- Independent Practice Worksheet

Complete all the problems. Make sure to draw pictures to help you solve the problems.

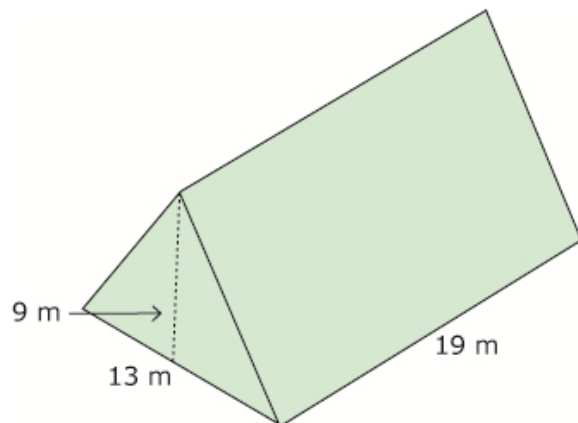
1) What is the volume?



2) What is the volume of this cylinder? Use $\pi \approx 3.14$.



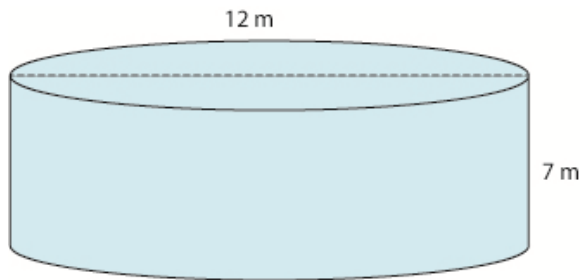
3) What is the volume?



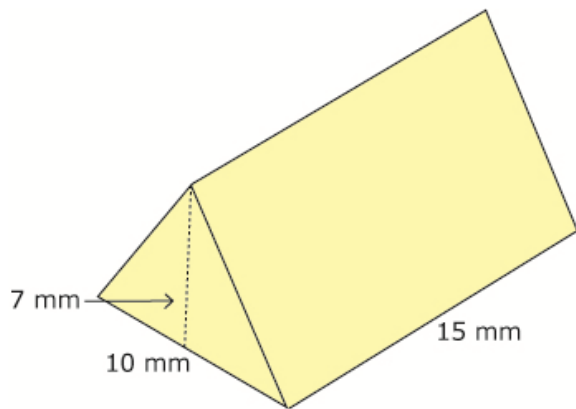
Name _____

Date _____

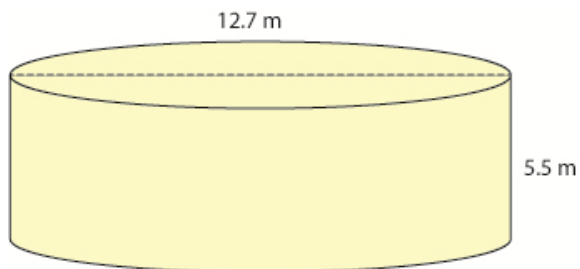
4) What is the volume of this cylinder? Use $\pi \approx 3.14$.



5) What is the volume?



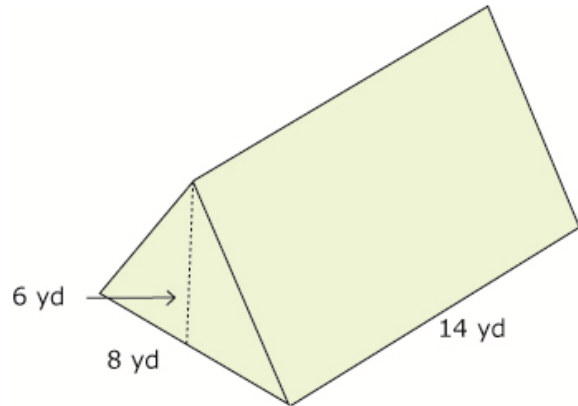
6) What is the volume of this cylinder? Use $\pi \approx 3.14$.



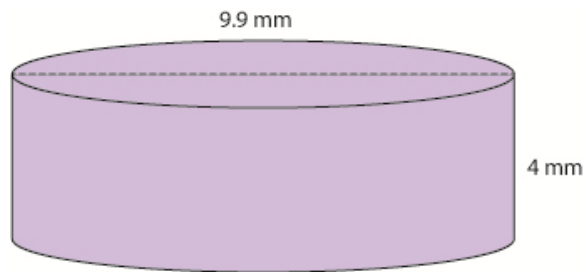
Name _____

Date _____

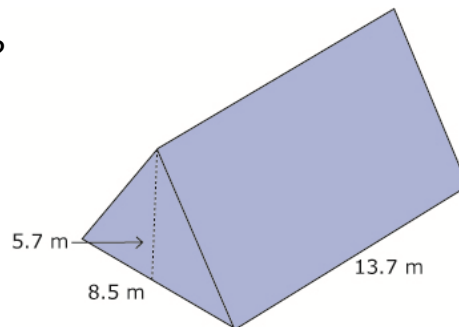
7) What is the volume?



8) What is the volume of this cylinder? Use $\pi \approx 3.14$.



9) What is the volume?



10) What is the volume of this cylinder? Use $\pi \approx 3.14$.

